

LVS Connector Change Notification

Dear Customer:

This is an announcement of change(s) to products that are currently being offered by BYD Company Limited.

The current type of LVS DC connectors [1] will be discontinued and unavailable in the future. They will be replaced by the new type connectors [2].

[1] Current Connector Information

Product Name	SAP number
LVS 35 mm ² DC Cable Connector	13079368-00
LVS 50 mm ² DC Cable Connector	13079369-00
LVS 70 mm ² DC Cable Connector	13079370-00

[2] New Connector Information

Product Name	SAP number
LVS 35 mm ² DC Cable Connector	13208292-00
LVS 50 mm ² DC Cable Connector	13208294-00
LVS 70 mm ² DC Cable Connector	13208293-00
LVS 95 mm ² DC Cable Connector	13282391-00

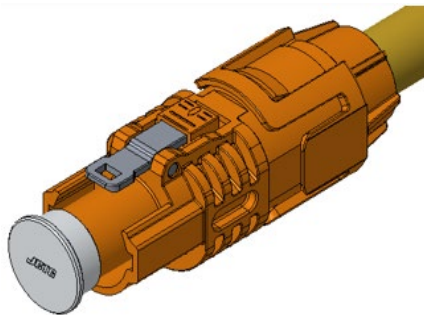


Figure 1: Current Type Connector [1]

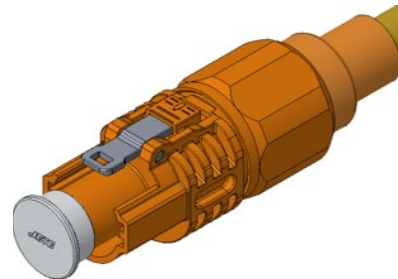


Figure 2: New Type Connector [2]

The advantages of the new type connectors are:

- 1, Easy to install, as the assembly method of the back cover has been changed from clip type into screw type.
2. No need to choose the kits inside of the connectors for different cable types.
3. Available for 95 mm² cables.

For questions or clarification regarding this PCN, please contact your BYD local service partner.

Sincerely,

BYD Battery-Box Team